

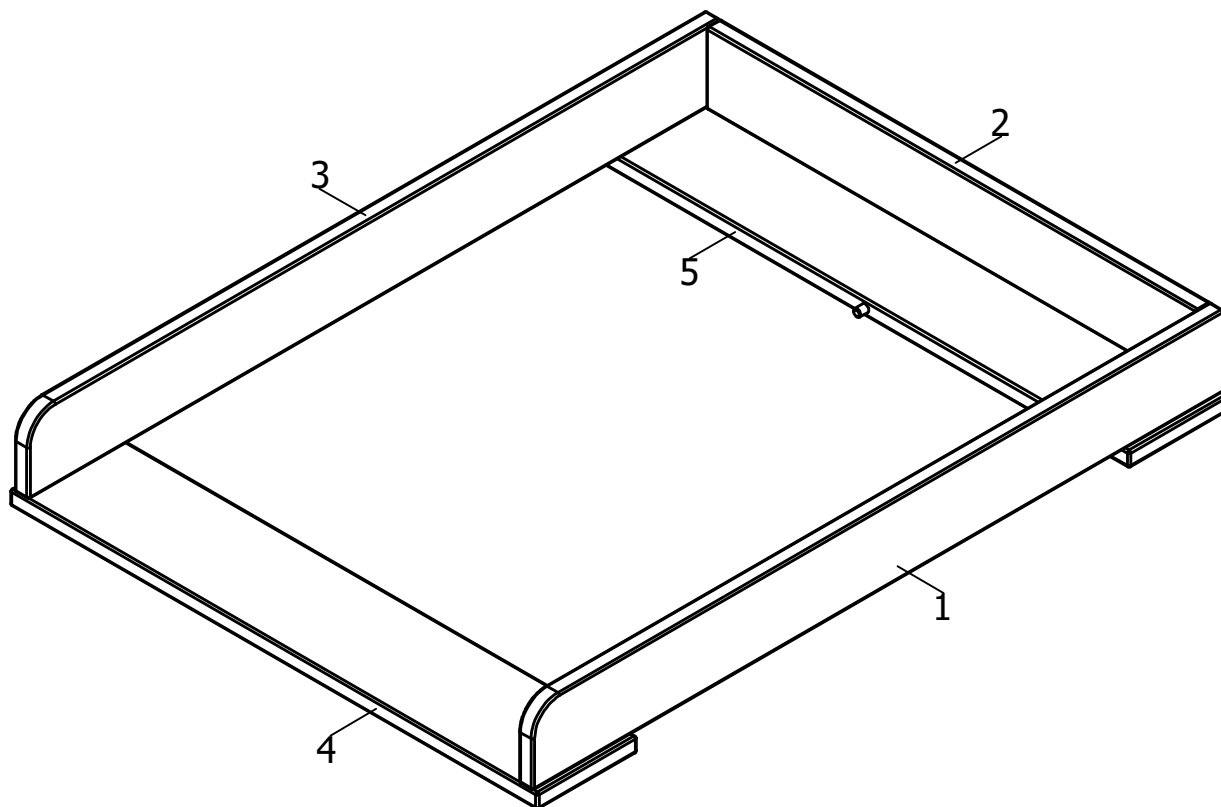
bopita®

ASSEMBLY INSTRUCTION
MONTAGE HANDLEIDING
MONTAGE ANLEITUNG
NOTICE DE MONTAGE
MANUAL DE MONTAJE

UK
NL
D
F
ESP

MODEL
TYPE
COLOUR
ART.CODE

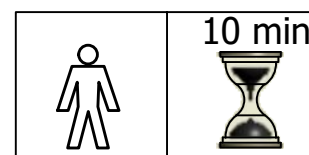
:VIEVE
:BARRIER
:DUNE
:137194.35






Distributor:

BOPITA
Energieweg 1
6662 NS Elst
The Netherlands

www.bopita.com



02.07.2024.

<p>A</p>  <p>5X40 10X</p>	<p>B</p>  <p>Ø6X30 8X</p>	<p>C</p>  <p>Ø8X30 1X</p>
---	---	---

